



COMPOSITE

FENCING

INSTALLATION GUIDE



DUG IN POSTS INSTALLATION

BOLT DOWN POSTS INSTALLATION

CONCRETE POSTS INSTALLATION

CHOOSE YOUR METHOD



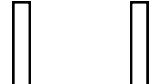
DUG IN

Suitable for soil/ground.
Best all round stability



BOLT DOWN

Existing hard ground
base.

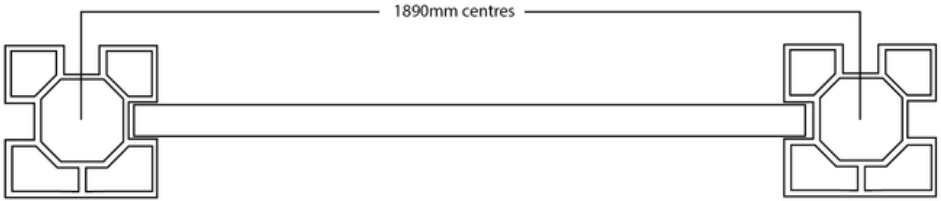


RETRO FIT

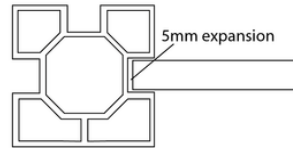
Existing concrete
fencing posts

PRE INSTALL

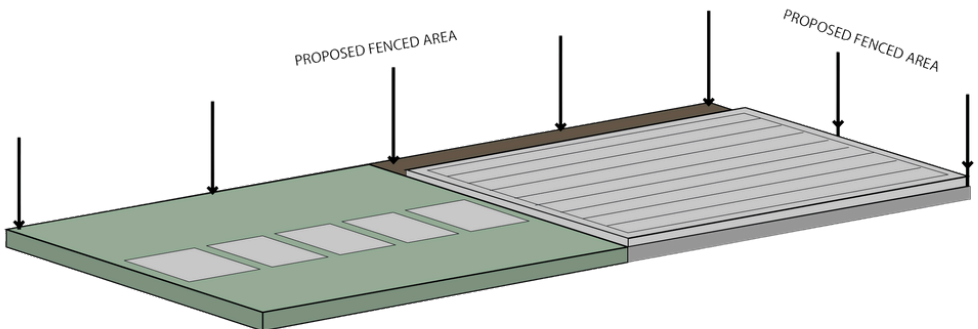
COMPOSITE POST CENTRES



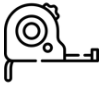
LEAVE 5MM CLEARANCE AT EACH
BOARD END WHERE IT MEETS POST
CHANNEL (**10MM TOTAL PER BAY**)



Measure and mark the locations for each post, using a string line and stakes. Posts should be spaced according to the length of your fence panels, typically 1890mm centres apart. If using existing posts, check these are level first as they may need altering.



RECOMMENDED PPE & TOOLS FOR BOARD FITTING



TAPE MEASURE



POST MIX
if using dug in method



ACCESS TO WATER
if using dug in



HELPING HANDS



CHOP/CIRCULAR
SAW



SPIRIT LEVEL



SAFETY PPE
(GLOVES & IMPACT
GOGGLES)



STRING LINE/
LASER LEVEL

CALCULATING MATERIALS

Measure the length of the fencing run in linear meters. Use the guide below to calculate the number of boards required per bay, depending on the height of fence you require.

Woodgrain & Slatted Fencing

Bay Height (ft)

Boards per bay	3ft	4ft	5ft	6ft
Fencing Board	5	7	9	11
Top Board	1	1	1	1

**Note: Always round up the number of boards, and include 5%-10% for wastage.
Don't forget to add your top board**

STORAGE & HANDLING

Do's:

- ✔ Boards should be stored flat off the floor, on supports no more than 300mm apart.
- ✔ Keep the fence boards covered until ready to be installed

Don't's:

- ✘ Do not store directly on the ground or upright.
- ✘ Do not drag the boards on rough surfaces or across other boards, this could cause damage to the boards.
- ✘ Do not leave metal or tools on the boards for long periods.

WITH DUG IN POSTS

REQUIRED FOR DUG IN METHOD



POST MIX



SHOVEL



POST SUPPORTS



SPIRIT LEVEL



WATER

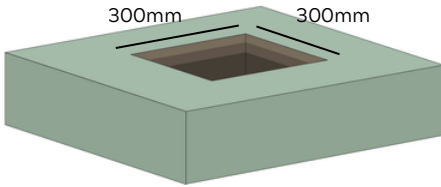


PPE

Once your post positions are marked, dig a hole of at least 300mm square and 600mm deep. Insert your post into the hole and ensure it is level in both directions.

Once you are happy with your level, secure with post mix to fill the hole.

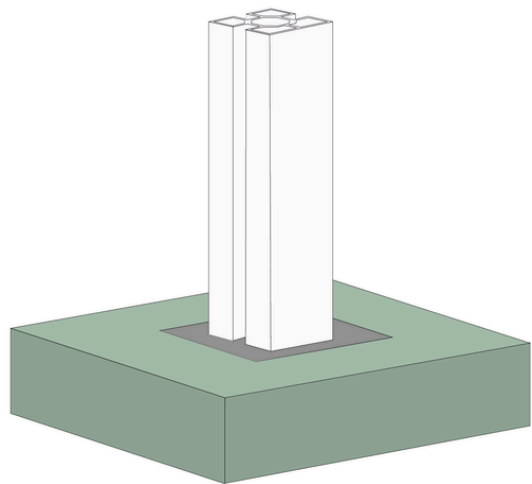
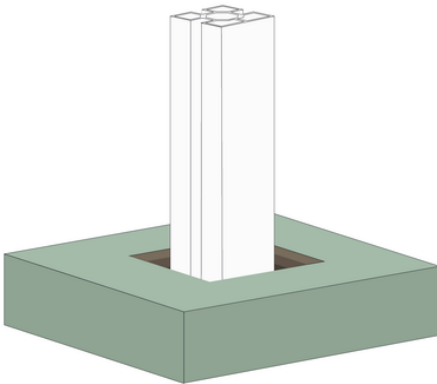
Ensure you keep your post straight until your post mix has cured. Use temporary braces in both directions to remove any movement.



MINIMUM HOLE DEPTH

600mm embedment in firm ground. Increase depth/footing size for soft ground, exposed/windy locations.

Hole width minimum 300mm square (increase for poor ground)



Do not load fence boards until post mix is cured fully.

WITH BOLT DOWN POSTS

Ensure the substrate you are placing your post on is level and in suitable condition for application.

Mark your centres for the mounts
Mark the holes for fixing on the post and drill and secure the post mount into the concrete/hard surface using appropriate bolts/fixings, typically M8 anchor bolts. (sold separately)

Once your post mount is secured, the composite post can be placed on.

REQUIRED FOR BOLT DOWN METHOD



PENCIL



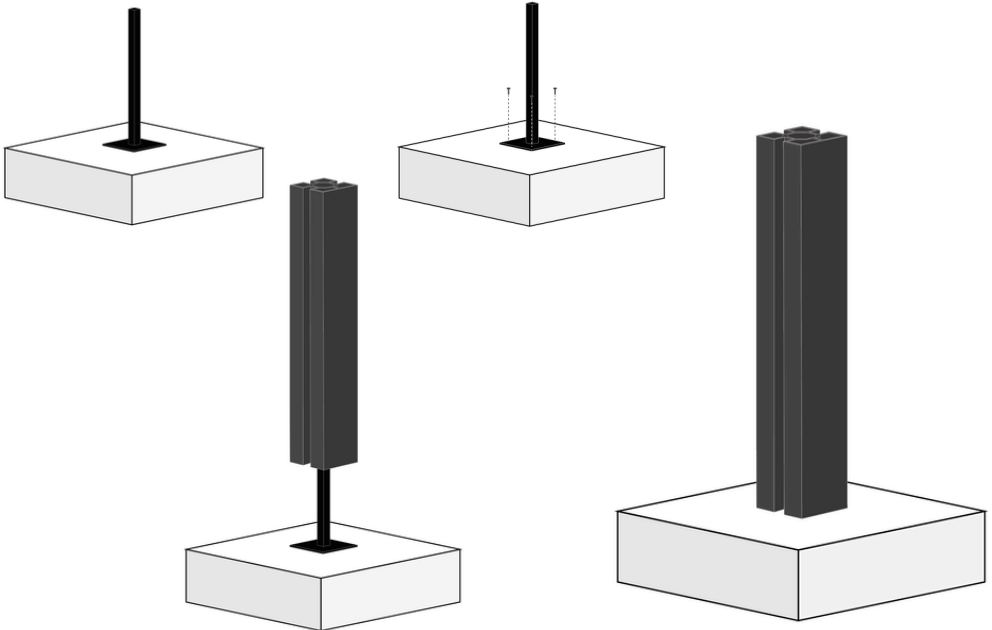
DRILL



APPROPRIATE PPE



We recommend using the bolt down method only on suitable ground and for panels up to 4ft.



WITH CONCRETE POSTS

If using existing concrete posts, check the level and square of these before you begin, as they may need to be altered/replaced.

If installing new concrete posts - follow the dug in method.



If using existing centres, boards may need to be cut down.
Ensure there is always 5mm expansion each end.

CONSTRUCTING YOUR FENCE

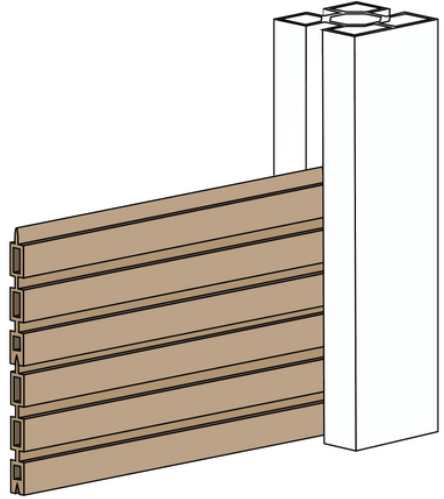
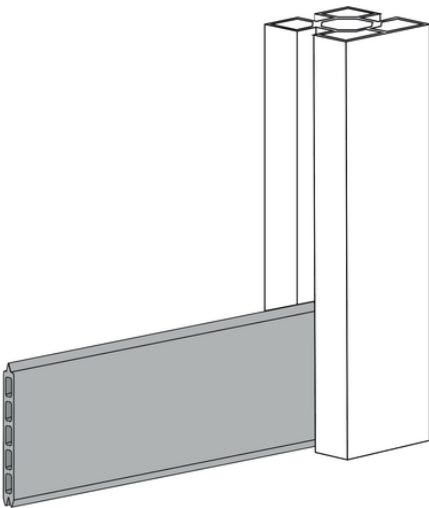
COMPOSITE POSTS

Slide the first composite board into the post channel, making sure to lower it level so it does not catch when lowering.

When sliding consecutive boards, make sure the boards slot together with the tongue and groove joining system.

Continue to add your composite boards, using a top board to finish off the fence infill.

Repeat this process for all bays of fencing, and then finish with post caps.



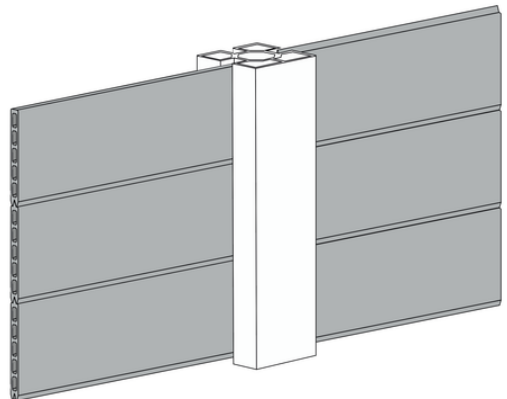
**BOARD INSTALLATION METHOD IS THE SAME FOR
VERSAFENCE AND SLATTED FENCING RANGE.**



TONGUE & GROOVE

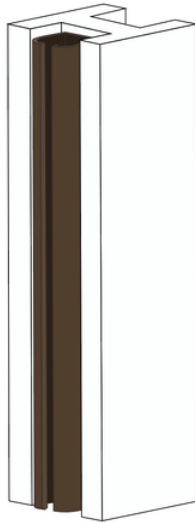
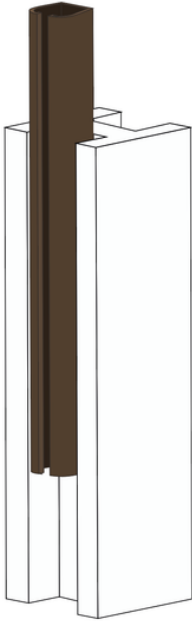
Our Composite Boards are made with a tongue and groove profile allowing the boards to slot into each other for a flush fit.

Please ensure these are slotted together correctly before proceeding with the next board

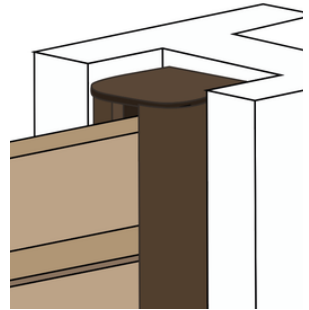


CONCRETE POSTS WITH INSERTS

Slide your aluminium inserts into the receiving channel on your concrete posts. The fit can vary slightly, so secure with with a flexible waterproof adhesive if you feel it is required.



**DON'T FORGET
YOUR PUSH FIT
INSERT CAPS**



For board infill, follow the same method as for composite posts.

IMPORTANT THINGS TO REMEMBER

EXPANSION

Accurate post spacing is crucial for a successful install. If installing new, use 1890mm centres. If utilising existing posts, you must ensure there is a 5mm expansion gap at each board end

PANEL HEIGHT

Bolt down posts must not exceed 4ft in height.

The installation guide is based on a simple installation process. If your project is more intricate, make sure to speak to an expert.

FADE

Composite Fencing gradually fades by up to 10% over a period of 3-6 months. The extent and rate of fading can vary due to the natural material variations in the boards.

WARRANTY/ DISCLAIMER

The boards are covered by a 10-year warranty, provided they are installed according to the guidelines mentioned above and subject to normal usage. This warranty covers splitting, rotting, cracking, and manufacturing defects, but not damage caused by external forces.

If your installation is more complex than explained in this guide, please seek further information before commencing your installation.



**COMPLETE
COMPOSITE**

